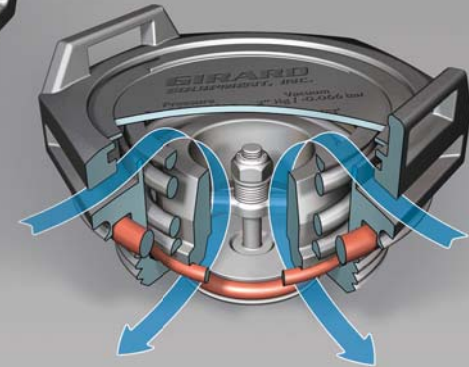
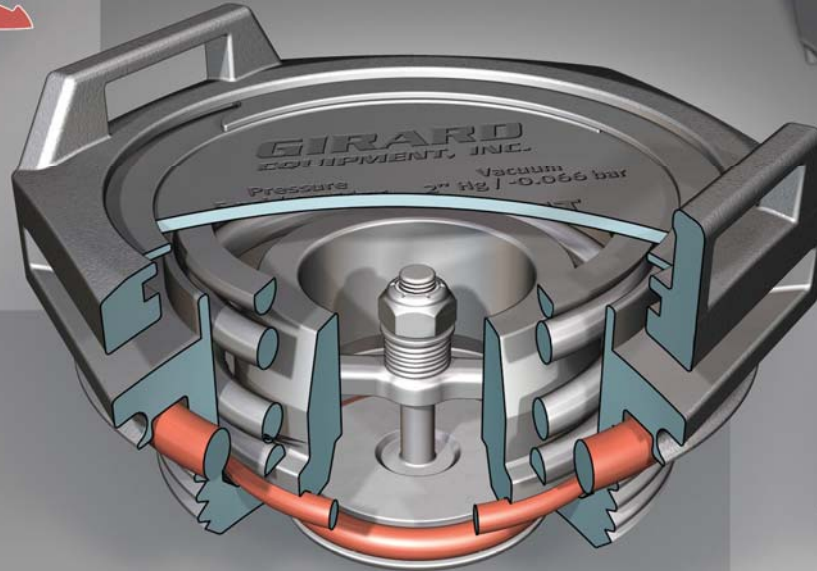
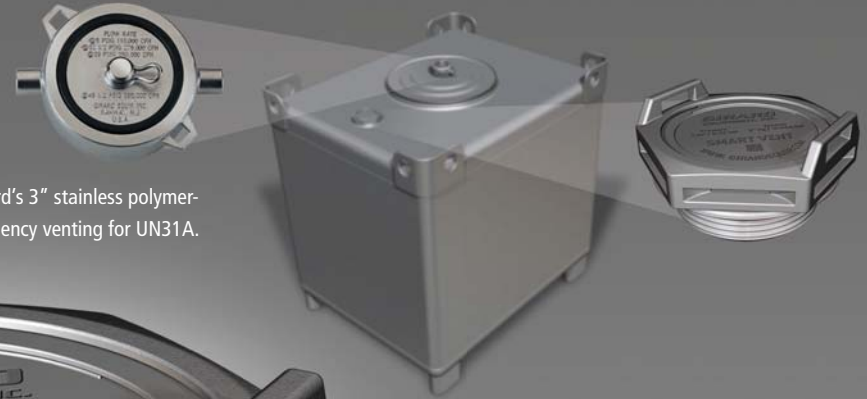


Pressure Venting

sMart Vent™ relieves tank pressures exceeding 5 psi at a flow rate of 100 scfm.

Above: sMart Vent works in series with Girard's 3" stainless polymer-fusible (3-SPF) to provide required emergency venting for UN31A.



Vacuum Venting

sMart Vent™ relieves tank vacuums exceeding 2" Hg at flow rates up to 3 cfm.

Left: With a press of the hand, sMart Vent releases pressures and vacuums insufficient to trigger automatic venting, but which impede fitting removal. An integral harness ring allows the vent to be tethered directly to the IBC.

IBC Pressure/Vacuum



The GS10005 sMart Vent™ protects intermediate bulk containers (IBCs) against excessive pressure and vacuum. Threading into a standard 2" port, the design features a cast stainless guard (with tamper-evident seal tabs) to protect the rain cover against impact damage. Engineered for low maintenance and easy cleaning, this vent offers superior protection for metal IBCs.



©2010 Girard Equipment, Inc. All rights reserved. Patent pending. Specifications and availability subject to change without notice. The Girard Equipment name and logo are trademarks of Girard Equipment, Inc.

GS10005 IBC Vacuum/Pressure sMart Vent™

Chicago • Houston • New Jersey • Florida
toll-free (800) 526-4330 • direct (908) 862-6300 • www.girardequip.com

GIRARD
EQUIPMENT, INC.

GS10005 Combo Pressure/Vacuum Vent

Component Inventory

Item	Part Number	Description	Material
1	GS10008	Cover Retainer Ring	Stainless Steel
2	GS10009EP	Cover	Stainless Steel
3	GS10013	Pressure Poppet Spring	Stainless Steel
4	GS10014	Vacuum Poppet Locking Nut	Stainless Steel
5	GT10600	Vacuum Poppet Spring	Stainless Steel
6	GS10017	Pressure Poppet	Stainless Steel
7	GS10018	Pressure Poppet O-Ring	PTFE/Silicone
8	GS10019	Vacuum Poppet	Stainless Steel
9	GS10020	Vacuum Poppet O-Ring	PTFE/Silicone
10	GS10010	Body (NPT)	Stainless Steel
	GS10010A	Body (BSP) (for BSP threaded valve, see below)	Stainless Steel
11	GS10012	Body O-Ring	PTFE/Silicone

Ordering Information

Item	Description
GS10005	sMart Vent™ Pressure/Vacuum Relief Vent Thread: 2" NPT Male Pressure Setting: 5 psi Vacuum Setting (factory): 2" Hg Seals: Tef-O-Sil (PTFE/Silicone)
GS10007	sMart Vent™ Pressure/Vacuum Relief Vent Thread: 2" BSP Male Pressure Setting: 5 psi Vacuum Setting: Adjustable to 1" Hg Seals: Tef-O-Sil (PTFE/Silicone)

(Other seal options available; please inquire.)

Dimensions

