

Safety Valves

Type 06380



Safety Valves, angle type, bronze, type tested TÜV-SV.749. D/G

Standard safety valve

with soft valve seal, open bonnet, with lifting device

In- and outlet: female thread type G (BSPP) acc. to ISO 228/1

Part No. 06380.X.0000

with FPM valve seal for air and similar gases

Working temperature: -10°C / +14°F (263K) up to +185°C / +365°F (458K)

Part No. 06380.X.0300

with PTFE valve seal for air and similar gases

and saturated steam from 2.0 up to 10.0 bar.

Working temperature: -10°C / +14°F (263K) up to +185°C / +365°F (458K)

Part No. 06380.X.0600

with EPDM valve seal for air and similar gases

and steam from 0.2 up to 8 bar. (saturated steam only to 3 bar)

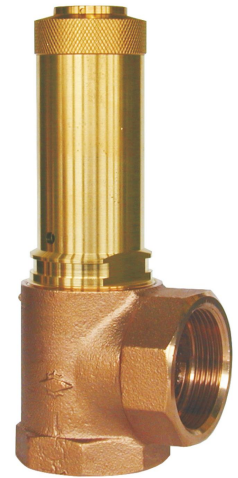
Working temperature: -10°C / +14°F (263K) up to +135°C / +275°F (408K)

Available options - on request only:

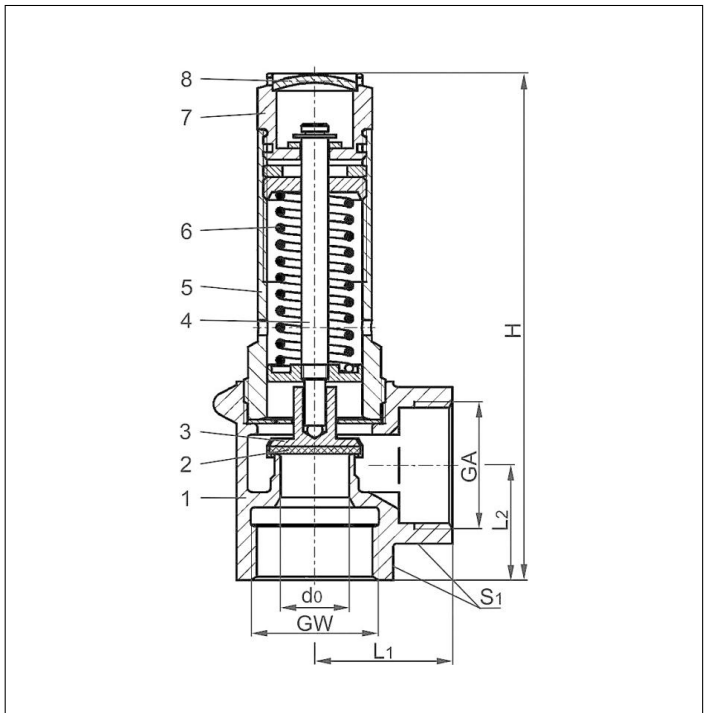
- stainless steel spring - material 1.4571, external parts nickel plated

Applications:

Provided as safety device for protection against excessive pressure in pressure vessels.



Materials	DIN EN	ASTM
1 Body	CC491K	B 62 UNS C83600
2 Valve seal	FPM, PTFE or EPDM	
3 Disc	CW614N	B 283 UNS C38500
4 Stem	CW614N	B 283 UNS C38500
5 Bonnet	CW614N	B 283 UNS C38500
6 Spring	1.1200	A 576 Grade 1045
7 Lifting device	CW614N	B 283 UNS C38500
8 Closing cap	CW507L	B 30 UNS C26800



Essential: Valves are delivered at a set pressure, therefore when ordering please confirm set pressure, medium and temperature.

Standard marking acc. to Pressure Equipment Directive 97/23/EC (PED).



Type 06380	Technical data						
Nominal size	GW	1/2	3/4	1	1-1/4	1-1/2	2
Orifice	d ₀	12	15	18	20	24	28
Dimension code	.X.	0400	0600	1000	1200	1400	2000
Set pressure range FPM seal	bar	0.2-20	0.2-20	0.2-20	0.2-20	0.2-16	0.2-16
Set pressure range PTFE seal	bar	0.2-20	0.5-20	0.2-20	0.4-20	0.2-16	1.0-16
Set pressure range EPDM seal	bar	0.2-8	0.2-8	0.2-9	0.2-9	0.2-8	0.2-8
Outlet	GA	1/2	3/4	1	1-1/4	1-1/2	2
Height	H	99	111	132	152	175	200
Length	L ₁	25	30	36	40	48	56
Length	L ₂	22	25	30	35	40	48
Wrench size across flats	S ₁	27	32	41	50	58	70
Weight	ca. kg	0.24	0.40	0.70	1.07	1.65	2.65
Coeff. of discharge from 3.0 bar	α _w	0.47	0.37	0.52	0.57	0.52	0.50

Dimensions in mm.

Safety Valves

Type 06380



Discharge capacities

Calculation of mass flow acc. to AD2000-Merkblatt A2

Medium:

Air in m³/h at 0°C and 1013.25 mbar

Saturated steam in kg/h

The capacity indicated below is for a fully opened valve.

d₀ - orifice

A₀ - flow area

Set pressure in bar (g)	GW	1/2	3/4	1	1-1/4	1-1/2	2	1/2	3/4	1	1-1/4	1-1/2	2
	d ₀ (mm)	12.0	15.0	18.0	20.0	24.0	28.0	12.0	15.0	18.0	20.0	24.0	28.0
	A ₀ (mm ²)	113.1	176.7	254.5	314.2	452.4	615.8	113.1	176.7	254.5	314.2	452.2	615.8
	Medium	Air						Saturated steam					
0.2		28	38	69	96	123	159	24	33	59	82	105	136
0.4		40	54	101	137	179	236	34	45	84	115	150	198
0.5		46	61	114	154	204	271	38	50	94	128	168	224
1.0		68	89	172	230	306	407	54	71	137	184	244	326
2.0		113	140	284	391	505	660	89	110	224	309	398	521
3.0		156	192	389	527	692	906	122	150	304	411	541	708
4.0		196	241	488	661	869	1137	152	187	379	513	674	883
5.0		236	291	589	797	1048	1371	182	224	454	615	808	1057
6.0		276	340	689	932	1225	1603	212	261	528	715	940	1230
7.0		316	389	788	1067	1402	1835	242	297	603	816	1072	1403
8.0		357	440	891	1205	1584	2073	271	334	677	916	1203	1575
9.0		398	489	990	1340	1761	2305	301	371	750	1016	1334	1747
10.0		439	540	1093	1479	1943	2543	331	407	824	1115	1465	1918
12.0		519	638	1293	1750	2298	3008	-	-	-	-	-	-
14.0		599	737	1493	2020	2654	3474	-	-	-	-	-	-
16.0		680	836	1693	2291	3010	3940	-	-	-	-	-	-
18.0		760	935	1893	2562	-	-	-	-	-	-	-	-
20.0		849	1044	2113	2860	-	-	-	-	-	-	-	-